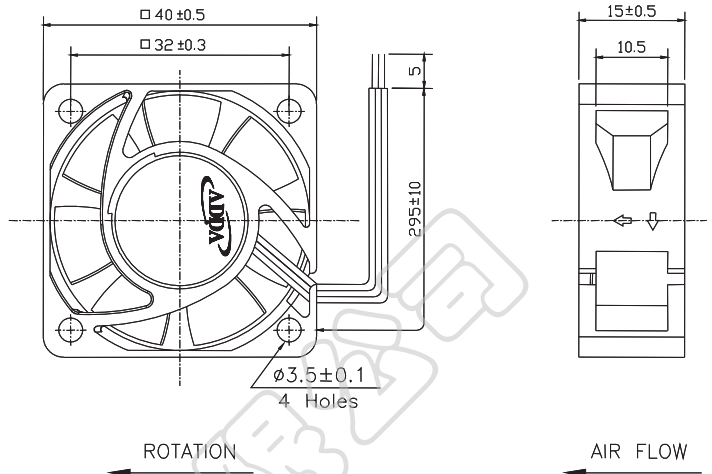




AG4015 SERIES



External Dimensions



Frame: Plastic (UL:94V-0)
 Impeller: Plastic (UL:94V-0)
 Lead wire: UL1061AWG26

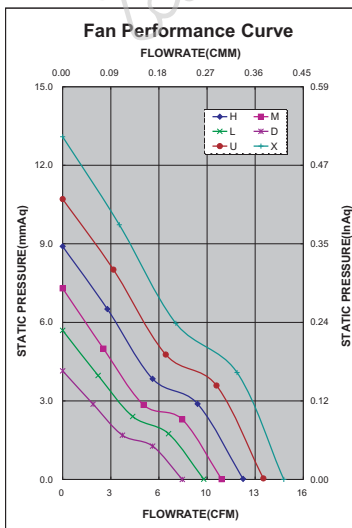
Specifications (Nominal)

*Noise is measured at the distance of one (1) meter from the axis of intake.

Bearing type: ◎=Ball ※=Sleeve ○=1B1S ●=Hypro bearing

Frame size (mm)	Model No.	Bearing System Type	Rated Voltage (VDC)	Current (A)	Power (W)	Rated Speed (rpm)	Maximum AirFlow (CMM)	Maximum AirFlow (CFM)	Maximum Pressure (InAq)	Maximum Pressure (mmAq)	*Noise Level (dB/A)	Weight (g)
40x40x15	AG04012DB157300	◎	12	0.06	0.72	6000	0.224	7.950	0.163	4.140	29.3	21.0
	AG04012LB157300	◎	12	0.07	0.84	7000	0.264	9.360	0.224	5.689	33.2	
	AG04012MB157300	◎	12	0.09	1.08	8000	0.298	10.560	0.287	7.289	36.9	
	AG04012HB157300	◎	12	0.12	1.44	9000	0.339	11.990	0.352	8.940	39.6	
	AG04012UB157300	◎	12	0.17	2.04	10000	0.376	13.310	0.421	10.693	41.7	
	AG04012XB157300	◎	12	0.21	2.52	11000	0.415	14.690	0.515	13.090	43.5	

Specifications subject to change without notice.



*Motor protective circuit and third lead wire functions

0	1	2	3	4	6	7	8	9	A	B
	✓	✓	✓							

*Safety approvals

✓	✓		✓	✓