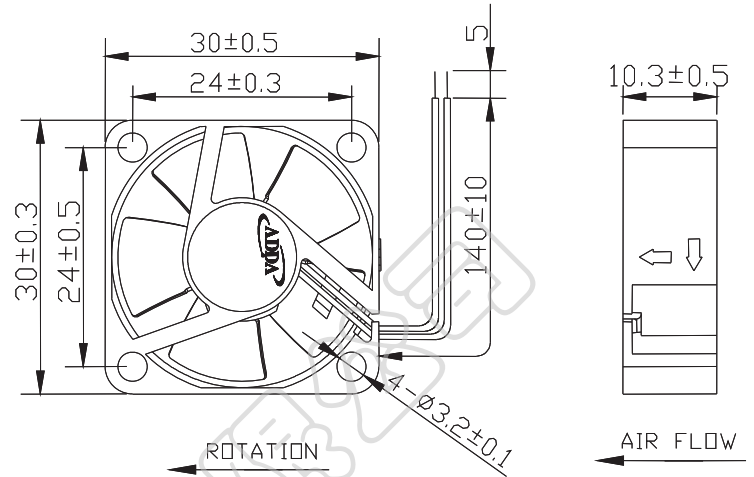




# AG3010 SERIES



## External Dimensions



Frame:Plastic(UL:94V-0)  
 Impeller:Plastic(UL:94V-0)  
 Lead wire:UL1507AWG28

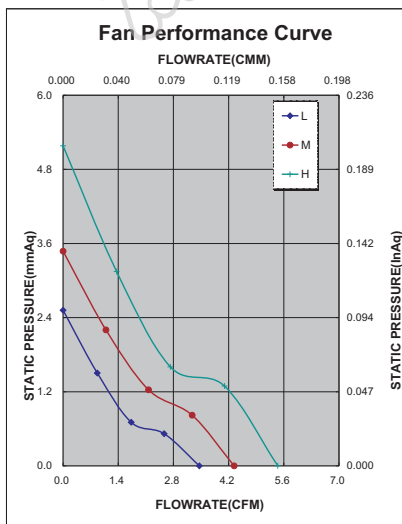
## Specifications(Nominal)

\*Noise is measured at the distance of one (1) meter from the axis of intake.

Bearing type: ○=Ball ※=Sleeve ◯=1B1S ●=Hypro bearing

| Frame size (mm) | Model No.       | Bearing System Type | Rated Voltage (VDC) | Current (A) | Power (W) | Rated Speed (rpm) | Maximum AirFlow (CMM) | Maximum AirFlow (CFM) | Maximum Pressure (InAq) | Maximum Pressure (mmAq) | *Noise Level (dB/A) | Weight (g) |
|-----------------|-----------------|---------------------|---------------------|-------------|-----------|-------------------|-----------------------|-----------------------|-------------------------|-------------------------|---------------------|------------|
| 30x30x10        | AG03005LX105100 | ●                   | 5                   | 0.07        | 0.35      | 6500              | 0.098                 | 3.460                 | 0.099                   | 2.520                   | 17.5                | 6.5        |
|                 | AG03005MX105100 | ●                   | 5                   | 0.11        | 0.55      | 8000              | 0.123                 | 4.340                 | 0.137                   | 3.480                   | 22.3                |            |
|                 | AG03005HX105100 | ●                   | 5                   | 0.12        | 0.60      | 9500              | 0.154                 | 5.450                 | 0.204                   | 5.180                   | 27.0                |            |

Specifications subject to change without notice.



\*Motor protective circuit and third lead wire functions

| 0 | 1 | 2 | 3 | 4 | 6 | 7 | 8 | 9 | A | B |
|---|---|---|---|---|---|---|---|---|---|---|
|   | ✓ |   | ✓ |   |   |   |   |   |   |   |

\*Safety approvals

|  |  |  |  |   |
|--|--|--|--|---|
|  |  |  |  |   |
|  |  |  |  | ✓ |