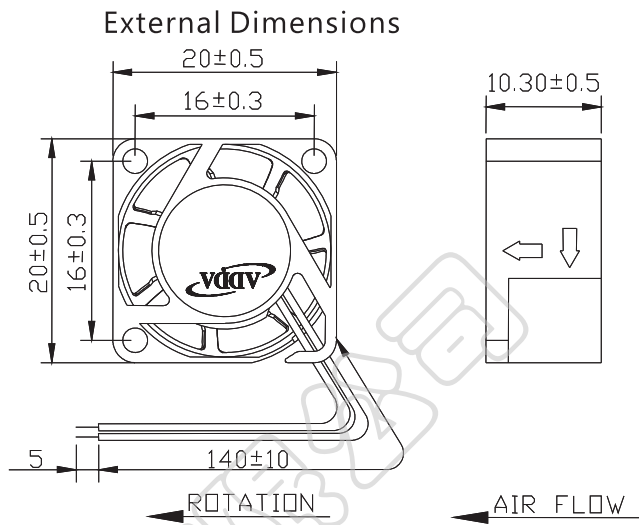




# AG2010 SERIES



Frame:Plastic(UL:94V-0)  
 Impeller:Plastic(UL:94V-0)  
 Lead wire:UL1507AWG28

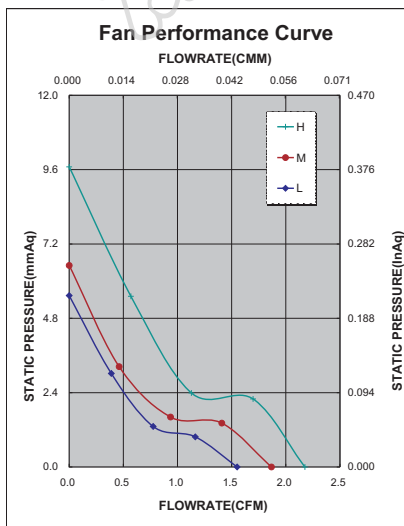
## Specifications(Nominal)

\*:Noise is measured at the distance of one (1) meter from the axis of intake.

Bearing type: ⊙=Ball ⊛=Sleeve ○=1B1S ●=Hypro bearing

Frame size (mm)	Model No.	Bearing System Type	Rated Voltage (VDC)	Current (A)	Power (W)	Rated Speed (rpm)	Maximum AirFlow (CMM)	Maximum AirFlow (CFM)	Maximum Pressure (InAq)	Maximum Pressure (mmAq)	*Noise Level (dB/A)	Weight (g)
20x20x10	AG02005LX107100	●	5	0.078	0.39	12000	0.042	1.500	0.210	5.334	21.0	4.8
	AG02005MX107100	●	5	0.090	0.45	14000	0.050	1.800	0.250	6.350	26.0	
	AG02005HX107100	●	5	0.150	0.75	16000	0.061	2.161	0.381	9.677	29.4	

Specifications subject to change without notice.



\*Motor protective circuit and third lead wire functions

0	1	2	3	4	6	7	8	9	A	B
	✓		✓							

\*Safety approvals

✓	✓		✓	✓