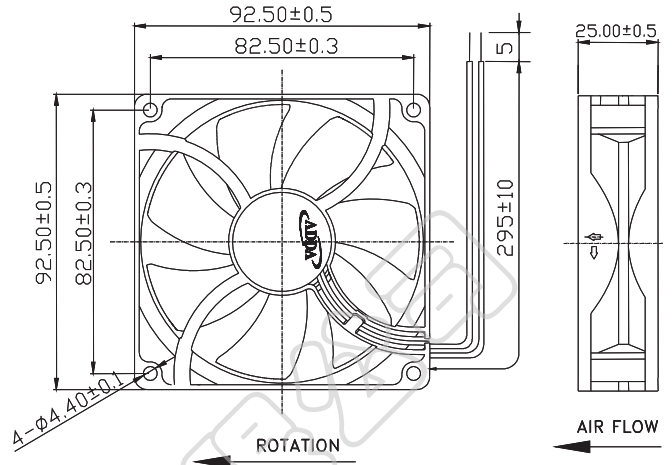




AD9225GP SERIES



External Dimensions



Frame: Plastic (UL:94V-0)
 Impeller: Plastic (UL:94V-0)
 Lead wire: UL1007AWG24

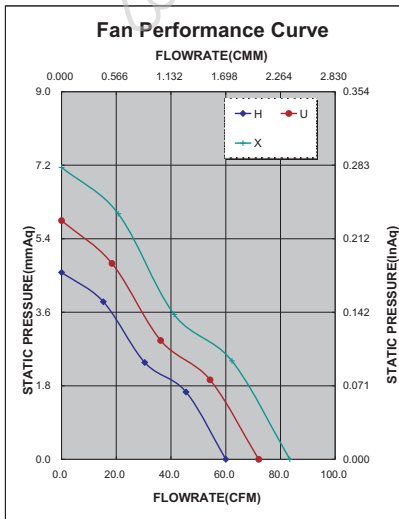
Specifications (Nominal)

*Noise is measured at the distance of one (1) meter from the axis of intake.

Bearing type: ⊙=Ball ⊛=Sleeve ○=1B1S ●=Hypro bearing

Frame size (mm)	Model No.	Bearing System Type	Rated Voltage (VDC)	Current (A)	Power (W)	Rated Speed (rpm)	Maximum AirFlow (CMM)	Maximum AirFlow (CFM)	Maximum Pressure (InAq)	Maximum Pressure (mmAq)	*Noise Level (dB/A)	Weight (g)
92x92x25	AD0912HB-A73GP	⊙	12	0.19	2.28	3000	1.698	60.000	0.180	4.572	39.5	103.0
	AD0912UB-A73GP	⊙	12	0.35	4.20	3500	2.037	72.000	0.230	5.842	44.0	
	AD0912XB-A73GP	⊙	12	0.47	5.64	4000	2.363	83.500	0.280	7.112	48.0	
	AD0924HB-A73GP	⊙	24	0.12	2.88	3000	1.698	60.000	0.180	4.572	39.5	
	AD0924UB-A73GP	⊙	24	0.18	4.32	3500	2.037	72.000	0.230	5.842	44.0	
	AD0924XB-A73GP	⊙	24	0.24	5.76	4000	2.363	83.500	0.280	7.112	48.0	
	AD0948HB-A73GP	⊙	48	0.08	3.84	3000	1.698	60.000	0.180	4.572	39.5	
	AD0948UB-A73GP	⊙	48	0.12	5.76	3500	2.037	72.000	0.230	5.842	44.0	
	AD0948XB-A73GP	⊙	48	0.16	7.68	4000	2.363	83.500	0.280	7.112	48.0	

Specifications subject to change without notice.



*Motor protective circuit and third lead wire functions

0	1	2	3	4	6	7	8	9	A	B
	✓	✓	✓					✓		✓

*Safety approvals

				✓