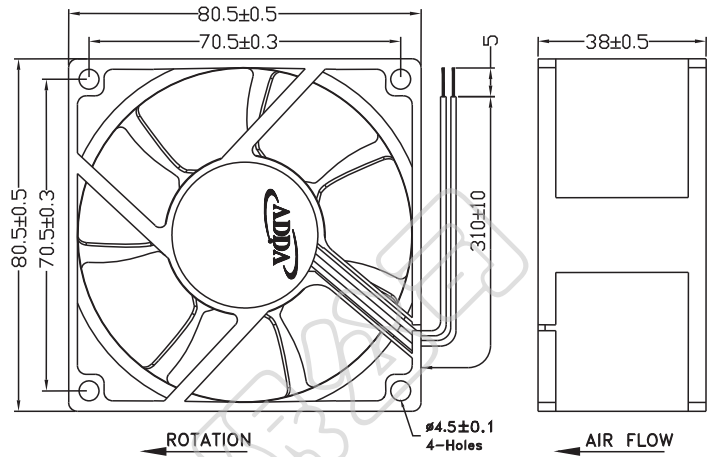




AD8038 SERIES

External Dimensions



Frame: Plastic (UL:94V-0)
 Impeller: Plastic (UL:94V-0)
 Lead wire: UL1007AWG24

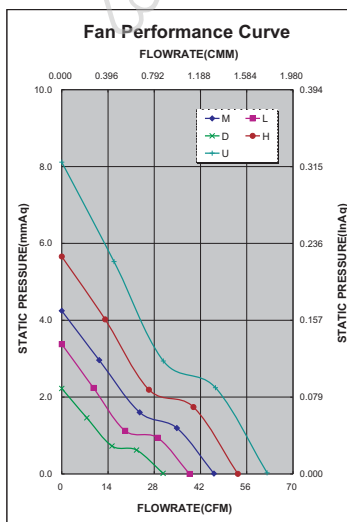
Specifications(Nominal)

*: Noise is measured at the distance of one (1) meter from the axis of intake.

Bearing type: ◎=Ball ※=Sleeve ○=1B1S ●=Hypro bearing

| Frame size (mm) | Model No. | Bearing System Type | Rated Voltage (VDC) | Current (A) | Power (W) | Rated Speed (rpm) | Maximum AirFlow (CMM) | Maximum AirFlow (CFM) | Maximum Pressure (InAq) | Maximum Pressure (mmAq) | *Noise Level (dB/A) | Weight (g) |
|-----------------|-----------------|---------------------|---------------------|-------------|-----------|-------------------|-----------------------|-----------------------|-------------------------|-------------------------|---------------------|------------|
| 80x80x38 | AD0812DB-F71(N) | ◎ | 12 | 0.07 | 0.84 | 2000 | 0.867 | 30.657 | 0.087 | 2.209 | 25.5 | 120.0 |
| | AD0812LB-F71(N) | ◎ | 12 | 0.10 | 1.20 | 2500 | 1.095 | 38.725 | 0.132 | 3.352 | 32.3 | |
| | AD0812MB-F71(N) | ◎ | 12 | 0.17 | 2.04 | 3000 | 1.303 | 46.055 | 0.167 | 4.241 | 36.0 | |
| | AD0812HB-F71(N) | ◎ | 12 | 0.26 | 3.12 | 3500 | 1.508 | 53.311 | 0.222 | 5.638 | 39.9 | |
| | AD0812UB-F71(N) | ◎ | 12 | 0.34 | 4.08 | 4000 | 1.759 | 62.161 | 0.319 | 8.102 | 43.7 | |
| | AD0824LB-F71(N) | ◎ | 24 | 0.08 | 1.92 | 2500 | 1.095 | 38.725 | 0.132 | 3.352 | 32.3 | |
| | AD0824MB-F71(N) | ◎ | 24 | 0.10 | 2.40 | 3000 | 1.303 | 46.055 | 0.167 | 4.241 | 36.0 | |
| | AD0824HB-F71(N) | ◎ | 24 | 0.14 | 3.36 | 3500 | 1.508 | 53.311 | 0.222 | 5.638 | 39.9 | |

Specifications subject to change without notice.



*Motor protective circuit and third lead wire functions

| | | | | | | | | | | |
|---|---|---|---|---|---|---|---|---|---|---|
| 0 | 1 | 2 | 3 | 4 | 6 | 7 | 8 | 9 | A | B |
| | ✓ | ✓ | ✓ | | | | | | | |

*Safety approvals

| | | | | |
|---|---|--|---|---|
| | | | | |
| ✓ | ✓ | | ✓ | ✓ |