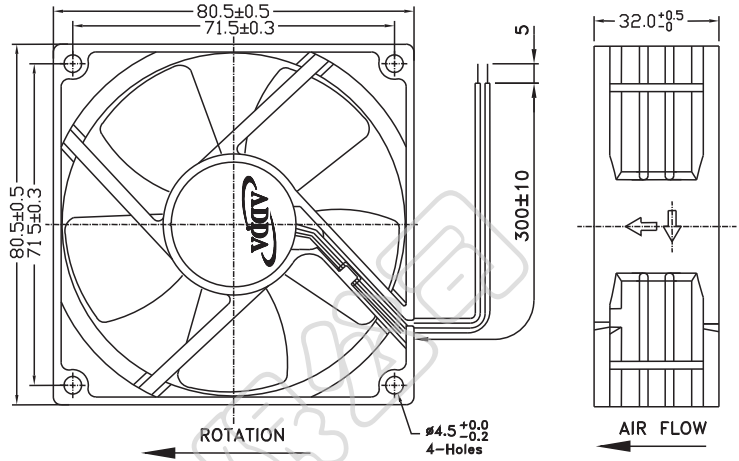




# AD8032 SERIES



## External Dimensions



Frame: Plastic (UL:94V-0)  
 Impeller: Plastic (UL:94V-0)  
 Lead wire: UL1007AWG24

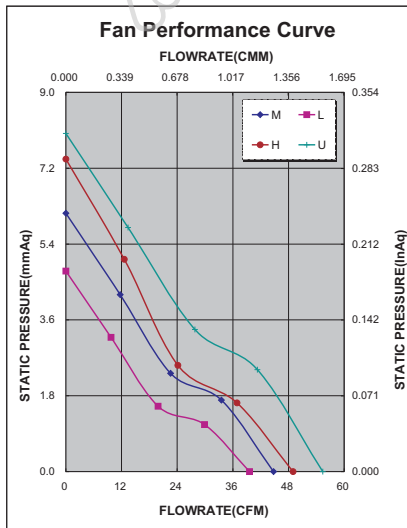
## Specifications (Nominal)

\*: Noise is measured at the distance of one (1) meter from the axis of intake.

Bearing type: ⊙=Ball ※=Sleeve ○=1B1S ●=Hypro bearing

Frame size (mm)	Model No.	Bearing System Type	Rated Voltage (VDC)	Current (A)	Power (W)	Rated Speed (rpm)	Maximum AirFlow (CMM)	Maximum AirFlow (CFM)	Maximum Pressure (InAq)	Maximum Pressure (mmAq)	*Noise Level (dB/A)	Weight (g)
80x80x32	AD0812LB-Y51(N)	⊙	12	0.11	1.32	3000	1.120	39.578	0.187	4.749	35.5	108.0
	AD0812MB-Y51(N)	⊙	12	0.16	1.92	3400	1.266	44.764	0.241	6.121	36.7	
	AD0812HB-Y51(N)	⊙	12	0.19	2.28	3800	1.414	49.998	0.292	7.416	42.4	
	AD0812UB-Y51(NCU)	⊙	12	0.23	2.76	4200	1.567	55.386	0.316	8.026	44.0	
	AD0824LB-Y51(N)	⊙	24	0.07	1.68	3000	1.120	39.578	0.187	4.749	35.5	
	AD0824MB-Y51(N)	⊙	24	0.10	2.40	3400	1.266	44.764	0.241	6.121	36.7	
	AD0824HB-Y51(N)	⊙	24	0.12	2.88	3800	1.414	49.998	0.292	7.416	42.4	
	AD0824UB-Y51(NCU)	⊙	24	0.15	3.60	4200	1.567	55.386	0.316	8.026	44.0	
	AD0848LB-Y51(N)	⊙	48	0.06	2.88	3000	1.120	39.578	0.187	4.749	35.5	
	AD0848MB-Y51(N)	⊙	48	0.07	3.36	3400	1.266	44.764	0.241	6.121	36.7	
	AD0848HB-Y51(N)	⊙	48	0.08	3.84	3800	1.414	49.998	0.292	7.416	42.4	
	AD0848UB-Y51(NCU)	⊙	48	0.11	5.28	4200	1.567	55.386	0.316	8.026	44.0	

Specifications subject to change without notice.



\*Motor protective circuit and third lead wire functions

0	1	2	3	4	6	7	8	9	A	B
	✓	✓	✓							

\*Safety approvals

✓	✓		✓	✓