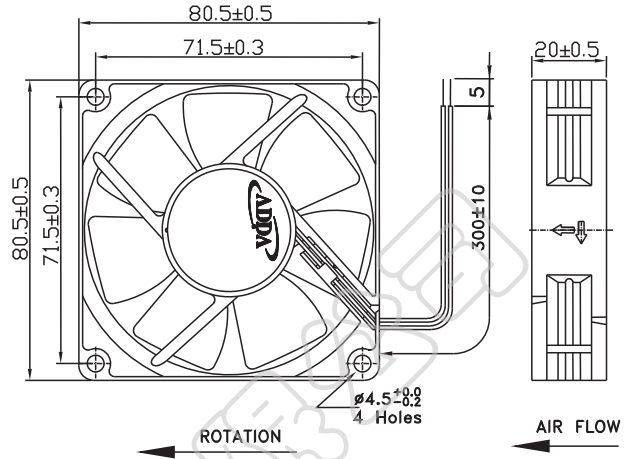




# AD8020 SERIES



## External Dimensions



Frame: Plastic (UL:94V-0)  
 Impeller: Plastic (UL:94V-0)  
 Lead wire: UL1007AWG24

## Specifications(Nominal)

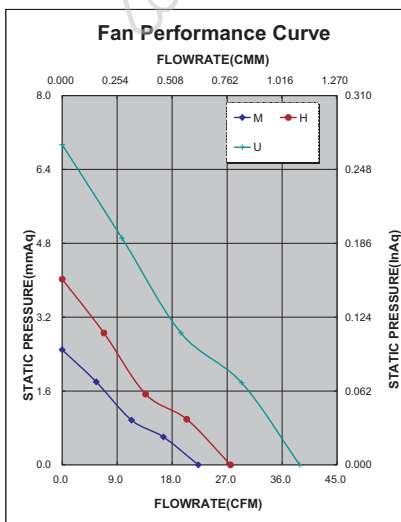
\*Noise is measured at the distance of one (1) meter from the axis of intake.

Bearing type: ⊙=Ball ※=Sleeve ○=1B1S ●=Hypro bearing

Frame size (mm)	Model No.	Bearing System Type	Rated Voltage (VDC)	Current (A)	Power (W)	Rated Speed (rpm)	Maximum AirFlow (CMM)	Maximum AirFlow (CFM)	Maximum Pressure (InAq)	Maximum Pressure (mmAq)	*Noise Level (dB/A)	Weight (g)
80x80x20	AD0805MB-C71(N)	⊙ ※ ●	5	0.17	0.85	2440	0.630	22.268	0.098	2.494	28.1	68.0
	AD0805HB-C71(N)	⊙ ※ ●	5	0.24	1.20	3000	0.780	27.552	0.158	4.022	34.0	
	AD0812MB-C71(N)	⊙ ※ ●	12	0.07	0.84	2440	0.630	22.268	0.098	2.494	28.1	
	AD0812HB-C71(N)	⊙ ※ ●	12	0.13	1.56	3000	0.780	27.552	0.158	4.022	34.0	
	AD0812UB-C71(N)	⊙ ※ ●	12	0.25	3.00	4200	1.100	38.886	0.273	6.934	43.5	
	AD0824HB-C71(N)	⊙ ※ ●	24	0.07	1.68	3000	0.780	27.552	0.158	4.022	34.0	

Specifications subject to change without notice.

The specification for bearing type is for reference only, for more bearing types information, please contact with your ADDA sales representative, thanks!! (網頁上呈現產品軸承資訊均以2Ball為主, 若需其他產品資訊請聯絡您在ADDA的業務代表, 謝謝!!)



\*Motor protective circuit and third lead wire functions

0	1	2	3	4	6	7	8	9	A	B
	✓	✓	✓							

\*Safety approvals

UL	cUL	SA	RoHS	CE
✓	✓	✓	✓	✓