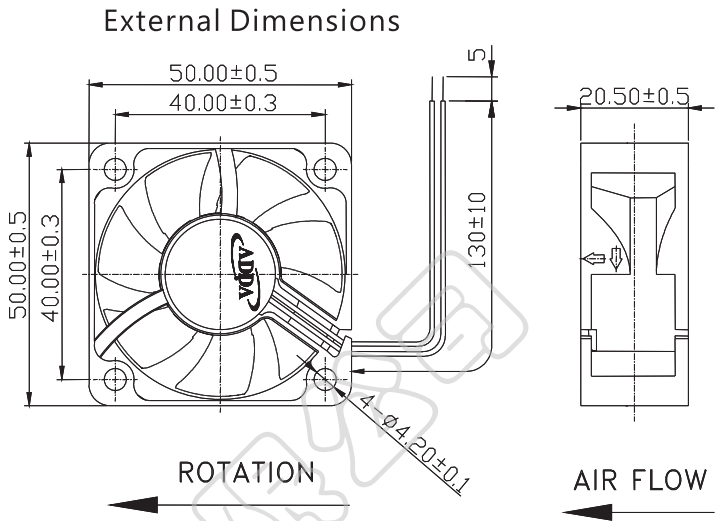




AD5020-7 SERIES



Frame:Plastic(UL:94V-0)
 Impeller:Plastic(UL:94V-0)
 Lead wire:UL1007AWG26

Specifications(Nominal)

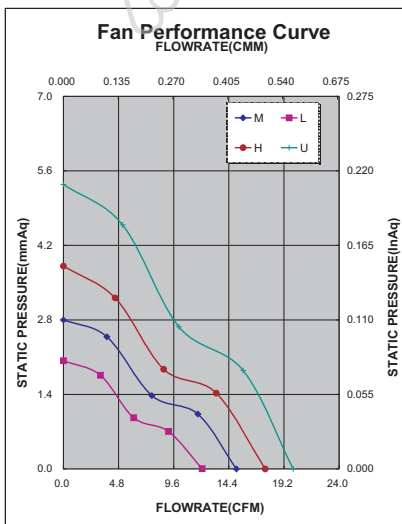
*Noise is measured at the distance of one (1) meter from the axis of intake.

Bearing type: ◎=Ball ※=Sleeve ○=1B1S ●=Hypro bearing

Frame size (mm)	Model No.	Bearing System Type	Rated Voltage (VDC)	Real Current (A)	Power (W)	Speed (rpm)	Maximum AirFlow (CMM)	Maximum AirFlow (CFM)	Maximum Pressure (InAq)	Maximum Pressure (mmAq)	*Noise Level (dB/A)	Weight (g)
50x50x20	AD5012LB-C71	◎ ※ ●	12	0.08	0.96	3600	0.339	12.000	0.080	2.032	24.0	32.0
	AD5012MB-C71	◎ ※ ●	12	0.10	1.20	4300	0.424	15.000	0.110	2.794	29.0	
	AD5012HB-C71	◎ ※ ●	12	0.13	1.56	5000	0.495	17.500	0.150	3.810	33.7	
	AD5012UB-C71	◎ ※ ●	12	0.19	2.22	6000	0.566	20.000	0.210	5.334	38.4	
	AD5024LB-C71	◎ ※ ●	24	0.06	1.44	3600	0.339	12.000	0.080	2.032	24.0	
	AD5024MB-C71	◎ ※ ●	24	0.08	1.92	4300	0.424	15.000	0.110	2.794	29.0	
	AD5024HB-C71	◎ ※ ●	24	0.11	2.64	5000	0.495	17.500	0.150	3.810	33.7	
	AD5024UB-C71	◎ ※ ●	24	0.15	3.60	6000	0.566	20.000	0.210	5.334	38.4	

Specifications subject to change without notice.

The specification for bearing type is for reference only , for more bearing types information, please contact with your ADDA sales representative, thanks!!
 (網頁上呈現產品軸承資訊均以2Ball為主，若需其他產品資訊請聯絡您在ADDA的業務代表，謝謝!!)



*Motor protective circuit and third lead wire functions

0	1	2	3	4	6	7	8	9	A	B
	✓	✓	✓							

*Safety approvals

✓	✓		✓	✓