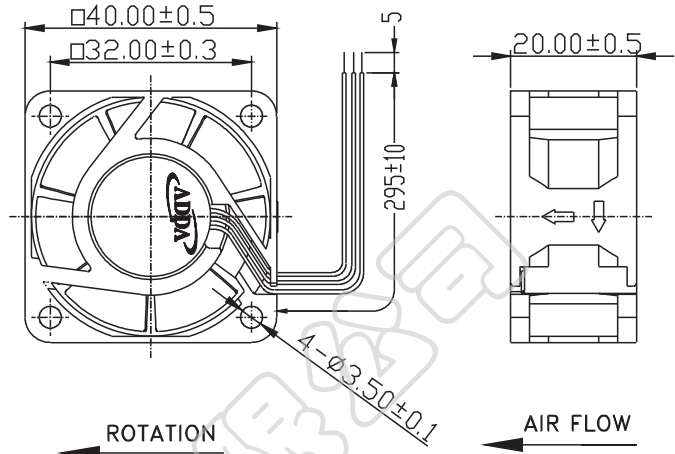




# AD4020GP SERIES



## External Dimensions



Frame: Plastic (UL:94V-0)  
 Impeller: Plastic (UL:94V-0)  
 Lead wire: UL1007AWG26

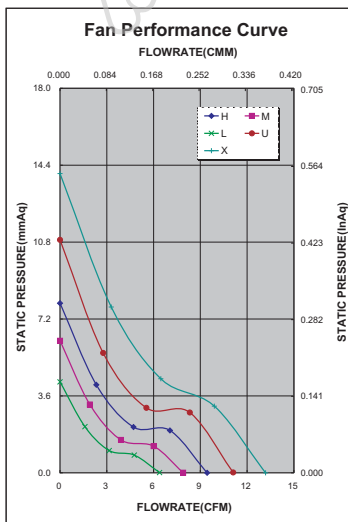
## Specifications (Nominal)

\*Noise is measured at the distance of one (1) meter from the axis of intake.

Bearing type: ⊙=Ball ⊛=Sleeve ○=1B1S ●=Hypro bearing

Frame size (mm)	Model No.	Bearing System Type	Rated Voltage (VDC)	Current (A)	Power (W)	Rated Speed (rpm)	Maximum AirFlow (CMM)	Maximum AirFlow (CFM)	Maximum Pressure (InAq)	Maximum Pressure (mmAq)	*Noise Level (dB/A)	Weight (g)
40x40x20	AD0412LB-C73GP(P)	⊙	12	0.08	0.96	5000	0.181	6.40	0.150	3.81	19.0	
	AD0412MB-C73GP(P)	⊙	12	0.12	1.44	6200	0.226	8.00	0.230	5.84	26.0	
	AD0412HB-C73GP(P)	⊙	12	0.14	1.68	7200	0.266	9.40	0.320	8.13	30.0	28.0
	AD0412UB-C73GP(P)	⊙	12	0.15	1.80	8200	0.311	11.00	0.400	10.16	33.0	
	AD0412XB-C73GP(P)	⊙	12	0.24	2.88	10000	0.368	13.00	0.540	13.72	42.0	

Specifications subject to change without notice.



\*Motor protective circuit and third lead wire functions

0	1	2	3	4	6	7	8	9	A	B
	✓	✓	✓							

\*Safety approvals

✓	✓		✓	✓