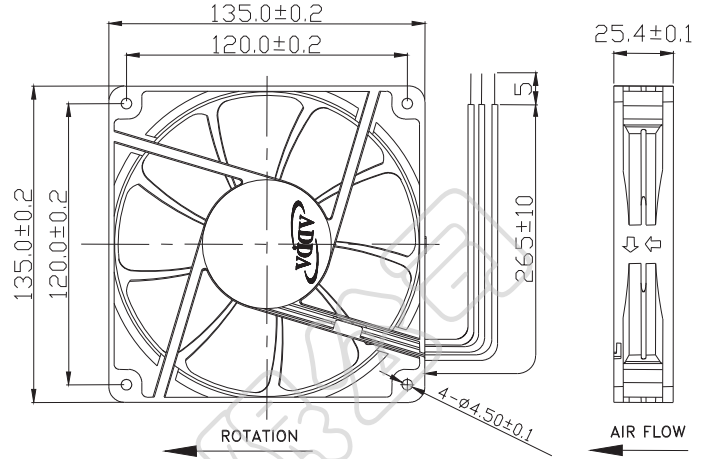




AD13525 SERIES



External Dimensions



Frame: Plastic (UL:94V-0)
 Impeller: Plastic (UL:94V-0)
 Lead wire: UL1007AWG24

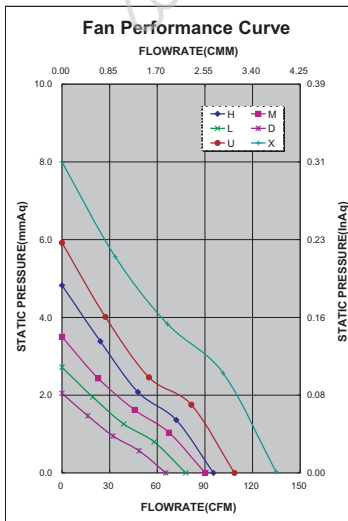
Specifications (Nominal)

*: Noise is measured at the distance of one (1) meter from the axis of intake.

Bearing type: ⊙=Ball ⊛=Sleeve ○=1B1S ●=Hypro bearing

Frame size (mm)	Model No.	Bearing System Type	Rated Voltage (VDC)	Current (A)	Power (W)	Rated Speed (rpm)	Maximum AirFlow (CMM)	Maximum AirFlow (CFM)	Maximum Pressure (InAq)	Maximum Pressure (mmAq)	*Noise Level (dB/A)	Weight (g)
135x135x25	ADN512DB-A91	⊙	12	0.12	1.44	1500	1.849	65.337	0.080	2.049	28.5	220.0
	ADN512LB-A91	⊙	12	0.18	2.16	1800	2.205	77.949	0.107	2.717	33.6	
	ADN512MB-A91	⊙	12	0.20	2.40	2050	2.551	90.149	0.138	3.505	37.8	
	ADN512HB-A91	⊙	12	0.28	3.36	2200	2.699	95.373	0.190	4.826	39.0	
	ADN512UB-A91	⊙	12	0.31	3.72	2500	3.074	108.629	0.233	5.918	42.5	
	ADN512XB-A91	⊙	12	0.47	5.64	3100	3.816	134.854	0.315	8.001	49.7	

Specifications subject to change without notice.



*Motor protective circuit and third lead wire functions

0	1	2	3	4	6	7	8	9	A	B
	✓	✓	✓							

*Safety approvals

✓	✓		✓	✓