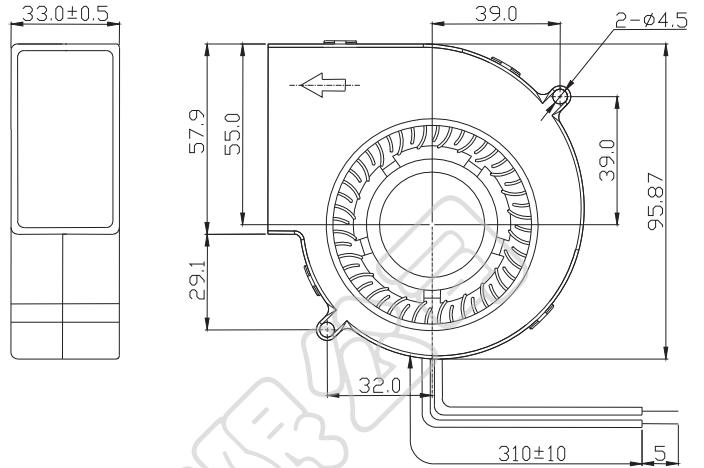




AB9433 SERIES

External Dimensions



Frame: Plastic (UL:94V-0)
 Impeller: Plastic (UL:94V-0)
 Lead wire: UL1007AWG24

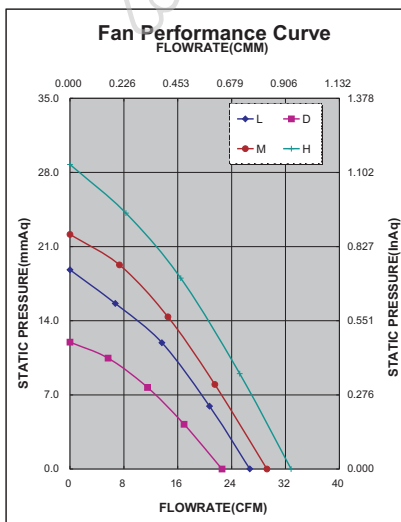
Specifications (Nominal)

*Noise is measured at the distance of one (1) meter from the axis of intake.

Bearing type: ◎=Ball ※=Sleeve ○=1B1S ●=Hypro bearing

Frame size (mm)	Model No.	Bearing System Type	Rated Voltage (VDC)	Current (A)	Power (W)	Rated Speed (rpm)	Maximum AirFlow (CMM)	Maximum AirFlow (CFM)	Maximum Pressure (InAq)	Maximum Pressure (mmAq)	*Noise Level (dB/A)	Weight (g)
94x94x33	AB0912DB-Z01(N)	◎	12	0.32	3.84	2800	0.638	22.578	0.471	11.936	44.0	157.0
	AB0912LB-Z01(N)	◎	12	0.48	5.76	3200	0.755	26.699	0.740	18.796	48.4	
	AB0912MB-Z01(N)	◎	12	0.67	8.04	3600	0.827	29.228	0.871	22.123	52.2	
	AB0912HB-Z01(N)	◎	12	0.78	9.36	4000	0.929	32.832	1.115	28.321	56.3	
	AB0924LB-Z01(N)	◎	24	0.23	5.52	3200	0.755	26.699	0.740	18.796	48.4	
	AB0924MB-Z01(N)	◎	24	0.27	6.48	3600	0.827	29.228	0.871	22.123	52.2	
	AB0924HB-Z01(N)	◎	24	0.35	8.40	4000	0.929	32.832	1.115	28.321	56.3	

Specifications subject to change without notice.



*Motor protective circuit and third lead wire functions

0	1	2	3	4	6	7	8	9	A	B
	✓	✓	✓							

*Safety approvals

✓	✓		✓	✓