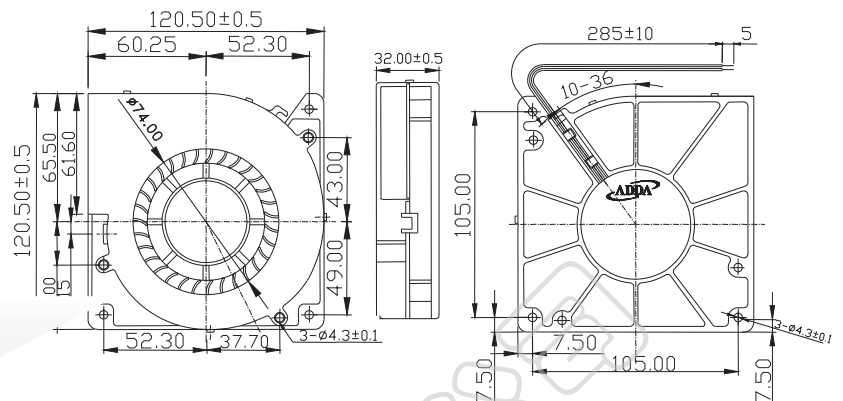




AB12032 SERIES

External Dimensions



Frame: Plastic(UL:94V-0)
 Impeller: Plastic(UL:94V-0)
 Lead wire: UL1007AWG24

Specifications(Nominal)

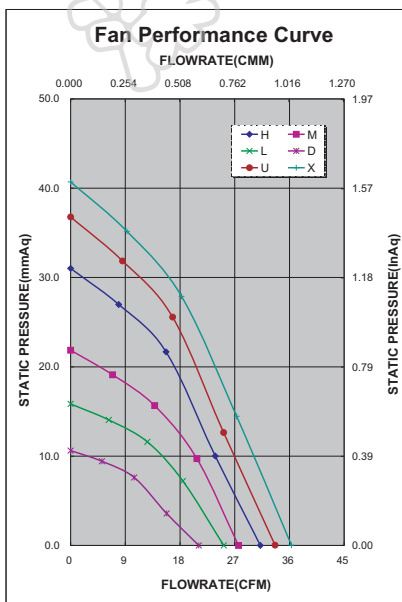
*: Noise is measured at the distance of one (1) meter from the axis of intake.

Bearing type: ⊙=Ball ※=Sleeve ○=1B1S ●=Hypro bearing

Frame size (mm)	Model No.	Bearing System Type	Rated Voltage (VDC)	Current (A)	Power (W)	Rated Speed (rpm)	Maximum AirFlow (CMM)	Maximum AirFlow (CFM)	Maximum Pressure (InAq)	Maximum Pressure (mmAq)	*Noise Level (dB/A)	Weight (g)
120x120x32	AB1212DB-Y01	⊙ ※ ●	12	0.26	3.12	1800	0.596	21.085	0.418	10.617	46.6	251.0
	AB1212LB-Y01	⊙ ※ ●	12	0.41	4.92	2100	0.713	25.196	0.624	15.849	48.0	
	AB1212MB-Y01	⊙ ※ ●	12	0.53	6.36	2300	0.798	28.201	0.889	22.580	49.0	
	AB1212HB-Y01	⊙ ※ ●	12	0.79	9.48	2600	0.883	31.206	1.221	31.013	55.0	
	AB1212UB-Y01	⊙ ※ ●	12	0.94	11.28	2800	0.951	33.623	1.448	36.779	53.3	
	AB1212XB-Y01	⊙	12	1.12	13.44	3100	1.027	36.323	1.602	40.690	57.0	
	AB1224DB-Y01	⊙ ※ ●	24	0.19	4.56	1800	0.596	21.085	0.418	10.617	46.6	
	AB1224LB-Y01	⊙ ※ ●	24	0.25	6.00	2100	0.713	25.196	0.624	15.849	48.0	
	AB1224MB-Y01	⊙ ※ ●	24	0.36	8.64	2300	0.798	28.201	0.889	22.580	49.0	
	AB1224HB-Y01	⊙ ※ ●	24	0.43	10.32	2600	0.883	31.206	1.221	31.013	55.0	
	AB1224UB-Y01	⊙ ※ ●	24	0.50	12.00	2800	0.951	33.623	1.448	36.779	53.3	
	AB1224XB-Y01	⊙	24	0.68	16.32	3100	1.027	36.323	1.602	40.690	57.0	
	AB1248DB-Y01	⊙ ※ ●	48	0.09	4.32	1800	0.596	21.085	0.418	10.617	46.6	
	AB1248LB-Y01	⊙ ※ ●	48	0.16	7.68	2100	0.713	25.196	0.624	15.849	48.0	
	AB1248MB-Y01	⊙ ※ ●	48	0.18	8.64	2300	0.798	28.201	0.889	22.580	49.0	
	AB1248HB-Y01	⊙ ※ ●	48	0.22	10.56	2600	0.883	31.206	1.221	31.013	55.0	
	AB1248UB-Y01	⊙ ※ ●	48	0.29	13.92	2800	0.951	33.623	1.448	36.779	53.3	

Specifications subject to change without notice.

The specification for bearing type is for reference only, for more bearing types information, please contact with your ADDA sales representative, thanks!!
 (網頁上呈現產品軸承資訊均以2Ball為主, 若需其他產品資訊請聯絡您在ADDA的業務代表, 謝謝!!)



*Motor protective circuit and third lead wire functions

0	1	2	3	4	6	7	8	9	A	B
	✓	✓	✓							

*Safety approvals

✓	✓		✓	✓