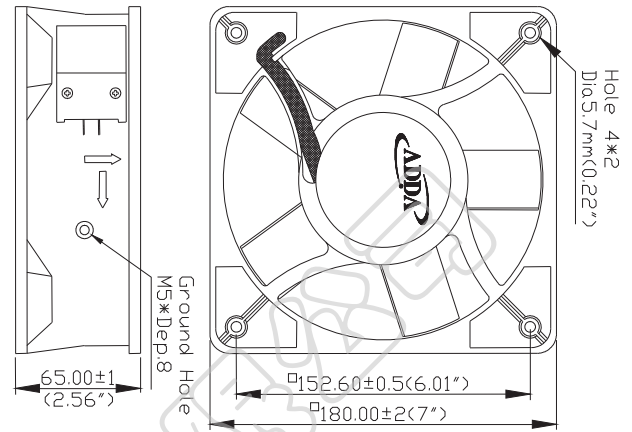




AK186 SERIES

External Dimensions



Frame: Aluminum Alloy
 Impeller: Plastic (UL: 94V-0)
 Bearing: Ball bearing
 Lead wire: UL 1430 AWG 22
 OPERATING TEMP*: -10C~70C
 *: -10C~60C for fans with sleeve/ball combination bearings.

Specifications (Nominal)

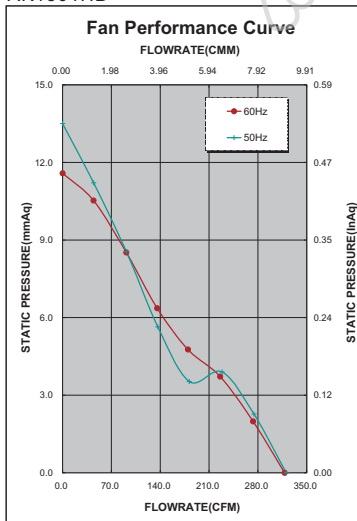
*: Noise is measured at the distance of one (1) meter from the axis of intake.

Bearing type: ◎=Ball ※=Sleeve ○=1B1S ●=Hypro bearing

Frame size (mm)	Model No.	Bearing System Type	Volt./Freq. (VAC/Hz)	Current (A)	Power (W)	Rated Speed (rpm)	Maximum AirFlow (CMM)	Maximum AirFlow (CFM)	Maximum Pressure (InAq)	Maximum Pressure (mmAq)	*Noise Level (dB/A)	Weight (g)
180x180x65	AK1861HB	◎	100-120/50	0.55	63.60	2800	10.131	358.00	0.701	17.81	70±2	1800
			100-120/60	0.48	55.20	3200	11.745	415.00	0.912	23.17	72±2	
	AK1862HB	◎	200-240/50	0.20	46.50	2750	9.792	346.00	0.688	17.48	70±2	
			200-240/60	0.22	51.10	3150	11.094	392.00	0.868	22.05	72±2	

Specifications subject to change without notice.

AK1861HB



*Safety approvals

✓	✓		✓	✓